

**CP** PACKAGING

**VISIONPAK™ VPI0-CS**



Small by Design, Huge in Innovation.

# VISIONPAK™ VP110-CS

## Small in Size with Big Advantages

Designed for processors of any size, the VisionPak™ VP110-CS offers a budget friendly, compact, yet versatile packaging machine that incorporates many of the design advantages you've come to expect from CP Packaging.

### VP110-CS Technical Information

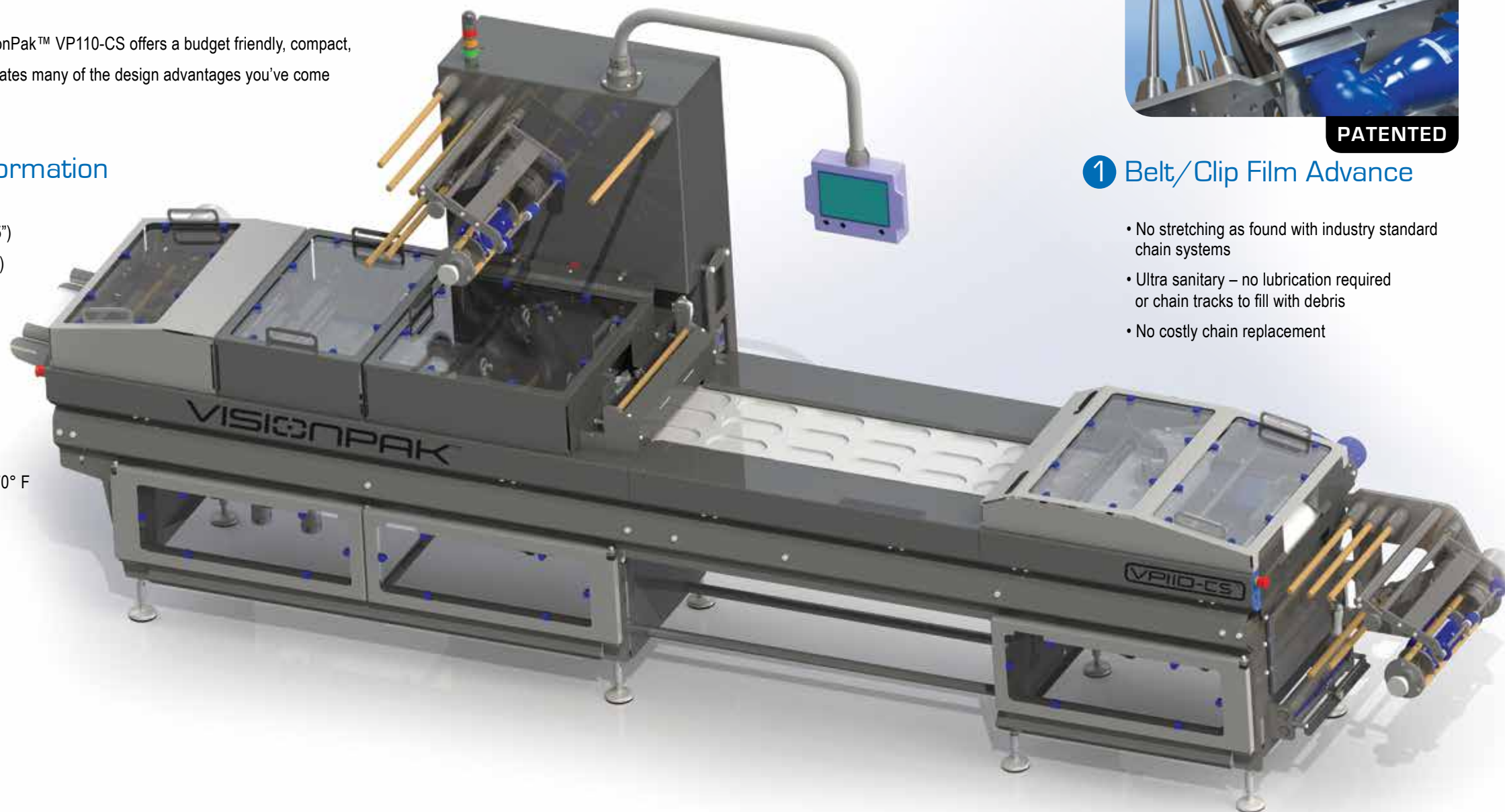
- Package Draw Depth: Maximum 4"
- Standard Web Width: 381mm (15") to 635 (25")
- Standard Index: 203.2mm (8") to 533mm (21")
- Cycle rates up to 14/minute
- Machine length of 15'-19.5' including film roll
- Swing arm HMI

### Utilities:

- Power: 240VAC 80 Amp 60/50 Hz
- Water: 30-50 GPH @ 10-40 PSI; Temp: 50°-70° F
- Air: Up to 40 CFM dry air at 80-90 psig

### Available Options:

- Upper/Lower Registration
- Servo Powered Lifts
- Gas Flush (MAP)
- Top Labeling
- Shape & Score Cutting
- Powered Exit Conveyor
- Scrap Wind Up



**PATENTED**

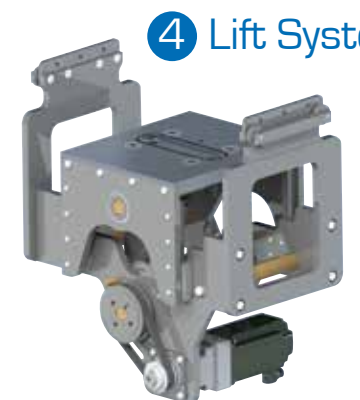
### 1 Belt/Clip Film Advance

- No stretching as found with industry standard chain systems
- Ultra sanitary – no lubrication required or chain tracks to fill with debris
- No costly chain replacement



### 2 Acrylic Machine Guarding

- Protects critical components
- See-through view of inner machine workings for easier maintenance, troubleshooting and sanitation
- Ensures safety for those in close contact with the machine



### 4 Lift Systems

**PATENTED**

- Compact lift design maximizes performance in a small footprint
- Servo drive system with integrated electronic self-referencing and self-diagnostics
- Quick removal tooling for efficient product changeover



### 5 Patented Adhesive Assisted Construction

- Weld free – no harborage points for bacteria
- Provides surface-to-surface hermetic seal
- Modular frame design allows machine to be broken down for easy shipping and component addition

### 3 Powered Film Drive

- Powered mandrel provides constant film tension during the index
- Mechanical core lock allows for superior tracking
- Optional festoon allows for long advance lengths
- Empty roll detection

*VisionPak™ features smooth and quiet operation and its design eliminates flat surfaces and hidden cavities.*





## Visionary Packaging Solutions

Founded in 2004, CP Packaging designs and manufactures innovative packaging equipment which incorporates technological solutions to food packaging industry challenges. Our customers benefit from forward thinking design concepts and equipment that meet application needs while deploying world class safety and sanitation standards.



CP Packaging, LLC  
2530 West Everett St.  
Appleton, WI 54914 USA

Phone: 920.832.8528  
Fax: 920.832.8560  
[www.cppac.com](http://www.cppac.com)  
[sales@cppac.com](mailto:sales@cppac.com)

